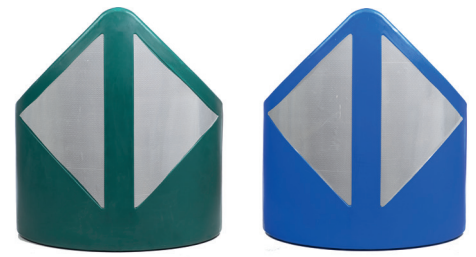




ORALITE®



VERTEX MILESTONE

Description

Vertex milestone designed to be used mainly in divergences and exceptionally in braking grouts.

Made of copolymer material composed of polyethylene high density providing strength and durability against external agents thanks to its UV treatment.

Uses and functionalities

The function of the vertex milestones is to indicate the two possible directions of movement when reaching a divergence, thanks to the retroreflective triangles that suggest to the driver the need to take one of the two indicated directions.

Exceptionally, at the accesses to the braking beds, the vertex milestone must have a single Retroreflective isosceles triangle, indicating the direction of the trunk of the road.

- ✓ **Identification** The vertex milestone manufactured by JOPI is marked on the bottom with the type of polymer used for its manufacture and the month and year of manufacture, on the back with the JOPI logo and the recommended ballast level, CE and EN 12899-3:2007
- ✓ **Retroreflective Material** The material used in the manufacture is Oralite 5930M high density level III white.
- ✓ **Colors:** The body of the milestone can be blue or green (Other colors at the customer's request)

Installation and Durability

The vertex milestone has a cabin to ballast the ground, with sand or water, and prevent the wind from moving it from its position. The durability of the milestone is greater than 5 years, both for the technical and physical qualities of the milestone (color)



ORALITE®

Structural Technical Specifications

Measures:

Weight:

Material: Polyethylene with level III reflective triangles **Oralite 5930M**

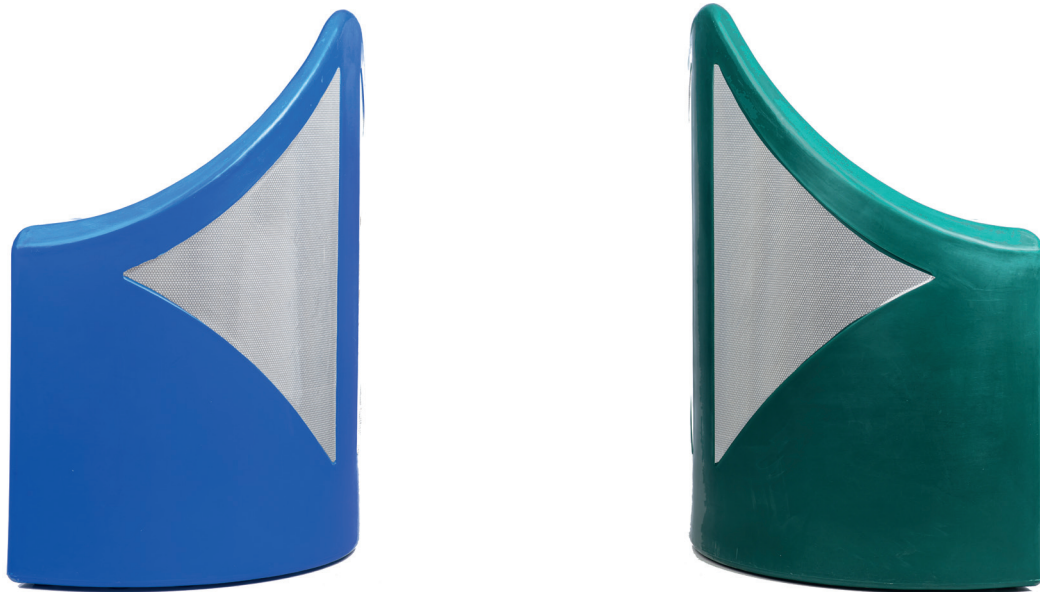
Pantone Colors

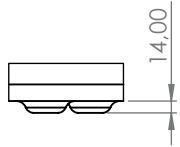
The colors belong to these pantones with UV treatment:

Green P336-C

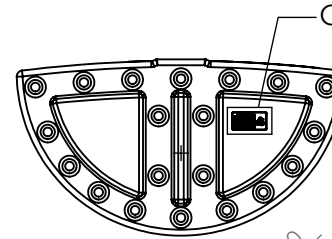
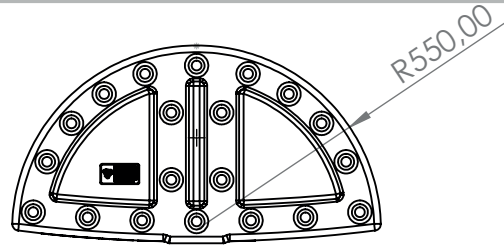
Blue P2145-C

Assembly drawing



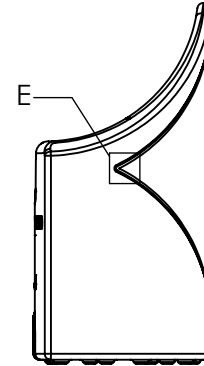
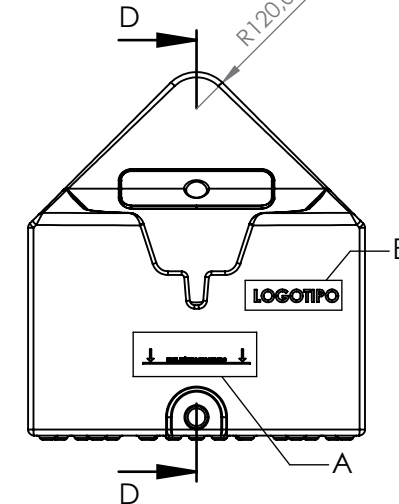
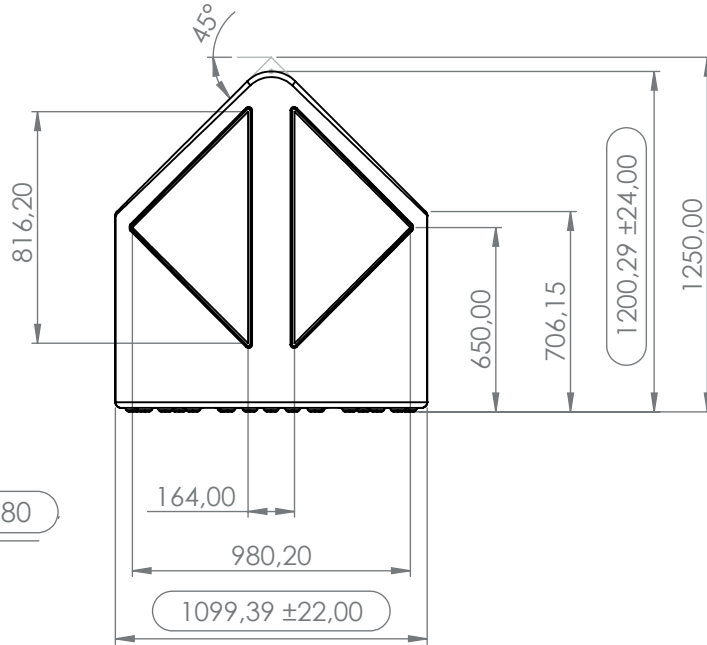
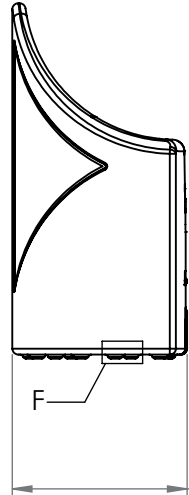
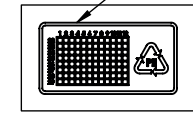


DETAIL F
SCALE 1 : 6



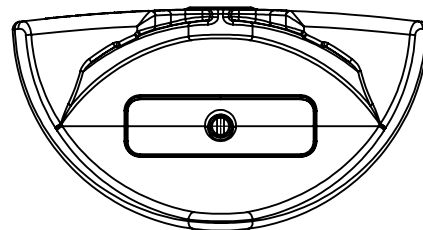
DETAIL C
SCALE 1 : 4

DATE
2022 - 2029

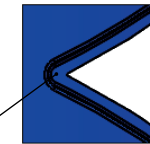


LOGOTIPO

DETAIL B
SCALE 1 : 8



Clearance to place
retroreflective sheeting



DETAIL E
SCALE 1 : 4



DETAIL A
SCALE 1 : 6

- LAS COTAS SE EXPRESAN EN MM.
- TOLERANCIA GENERAL: 2%.



JOPI - BEACON-120

GENERAL DIMENSIONS

20211109JB01

SCALE:
1:20

SIZE:
A4

PAGE:
1 de 1